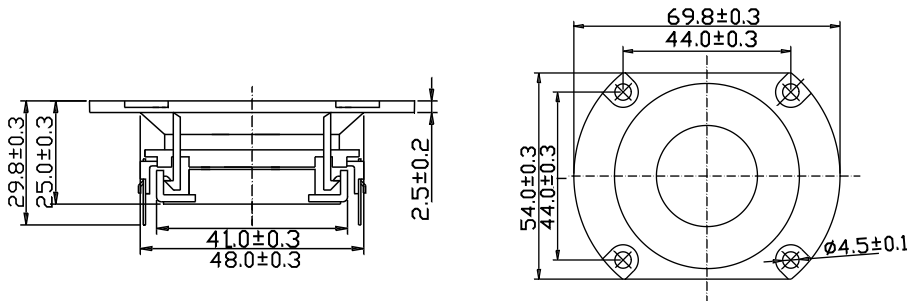


NS SERIES

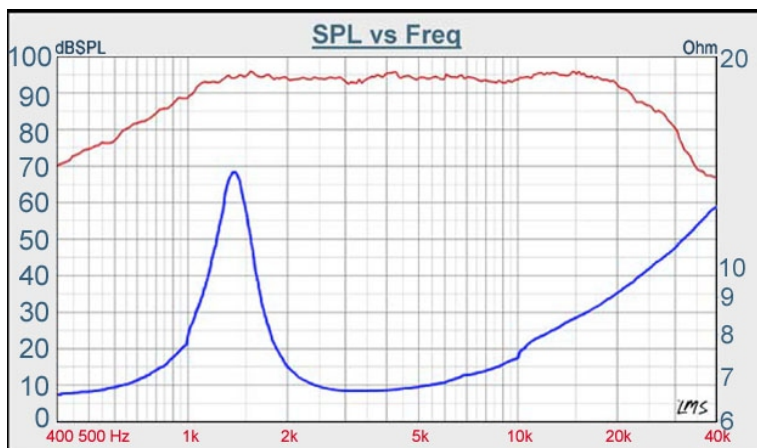
25-302S



- SOFT FABRIC DOME DIAPHRAGM COATING WITH HIGH LOSS MATERIAL
- FERROFLUID COOLED
- DAMP WOOL IN CAVITY OF POLE PIECE
- ABS FRONT PANEL
- NEODYMIUM DESIGN
- CCAW VOICE COIL

1" FABRIC DOME/ NEODYMIUM

DIAPHRAGM MTL	Fabric
SURROUND MTL	N/A
NOMINAL IMPEDANCE	8
DCR IMPEDANCE	6
SENSITIVITY 1W/1m	91 dB
FREQUENCY RESPONSE	2.5k -20K Hz
FREE AIR RESONANCE	1700 Hz
VOICE COIL DIAMETER	25 mm
AIR GAP HEIGHT	2 mm
RATED POWER INPUT	12 W
MAXIMUM POWER INPUT	100 W
FORCE FACTOR, BL	N/A
MAGNET WEIGHT	Neodymium
MOVING MASS	N/A
FERROFLUID ENHANCED	Yes
SUSPENSION COMPLIANCE	N/A
EFFECTIVE PISTON AREA	N/A
Levc	N/A
Zo	N/A
X-max	N/A
Vas	N/A
Qts	N/A
Qms	N/A
Qes	N/A



Blue planet acoustic
Königsbergerstr 3a
65760 Eschborn
www.blueplanetacoustic.com