



# Ultragrip Pro™ Side Clamping Loudspeaker Wall Mount with Tilt and Swivel

For more information please visit [www.btechavmounts.com/BT77](http://www.btechavmounts.com/BT77)

**BT77**

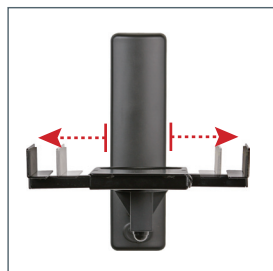


## BT77

### Ultragrip Pro™ Side Clamping Loudspeaker Wall Mount with Tilt and Swivel

**Designed for speakers up to 25kg (55lbs)**

- Suitable for most speakers including curved front types
- Adjustable clamp size: 135mm (5.3") - 280mm (11")
- Features +/- 7° tilt and 360° swivel
- No visible wall fixing screws
- Simple installation with all mounting hardware included
- Available in black, white and silver
- Supplied in pairs



Side clamping design



Easy adjustment of swivel 360°



Easy adjustment of tilt +/- 7°

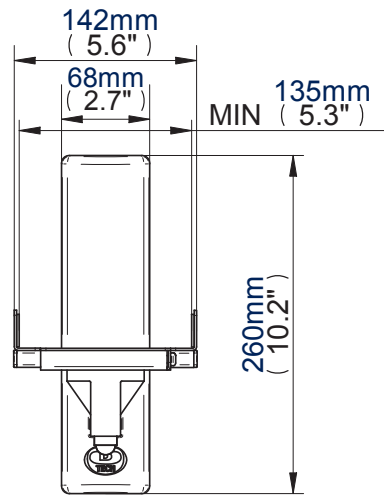


Supplied in pairs

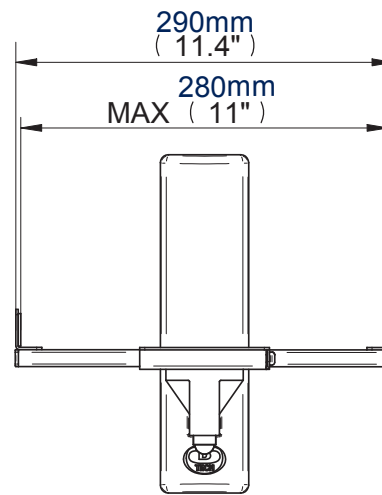
### Ultragrip Pro™ Side Clamping Loudspeaker Wall Mount with Tilt and Swivel

For more information please visit [www.btechavmounts.com/BT77](http://www.btechavmounts.com/BT77)

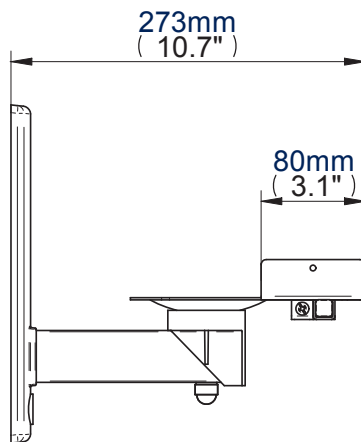
**BT77**



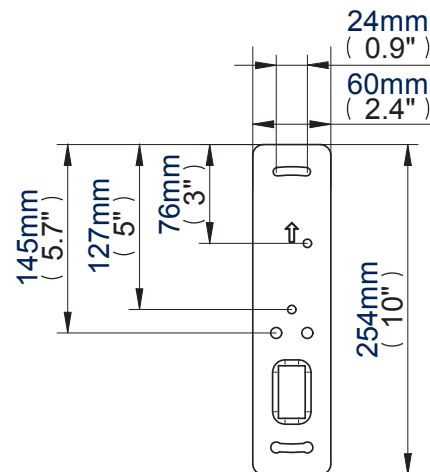
Front View - Minimum Extension



Front View - Maximum Extension



Side View



Wall Plate

Colour:	Order Ref:	EAN Code:	Master Carton Qty:	Inner Carton Qty:	Master Carton Weight:	Master Carton Cube:
Black	BT77/B	5019318047701	4	0	12.10kg (26.62lbs)	0.080cbm (0.02cuft)
Silver	BT77/S	5019318047725	4	0	12.10kg (26.62lbs)	0.080cbm (0.02cuft)
White	BT77/W	5019318049033	4	0	12.10kg (26.62lbs)	0.080cbm (0.02cuft)

**This information is intended as a guide only and reflects the current specification at the time of print. B-Tech accepts no liability for the accuracy of the information contained in this document.**