

FLAX EVO

P 20 FSE

Technical Sheet

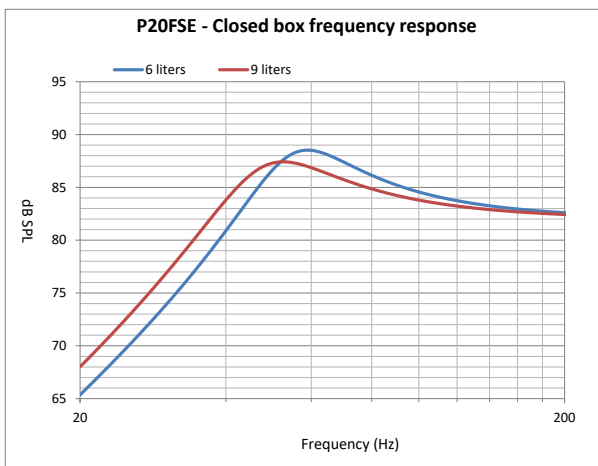
8" Shallow subwoofer



SPECIFICATIONS

Nominal power	200W
Maximum power	400W
Sensitivity	86dB
Nom. impedance	4Ω
Cone	Flax
Surround	Rubber
DC resistance	3.2Ω
VC diameter	38mm 1 ^{1/2} "
Former	Glass fiber
Layers	4
Wire	Copper
Net weight	3.5kg 6.61lbs

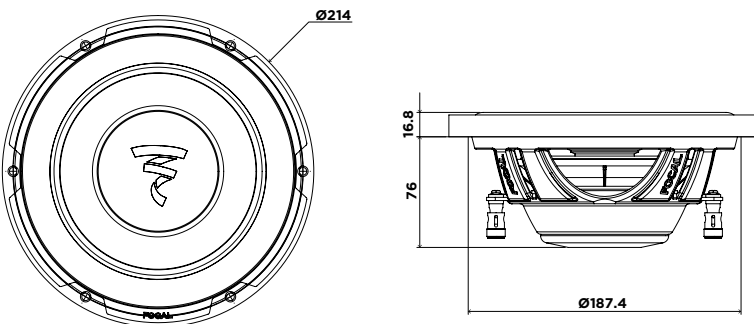
FREQUENCY RESPONSE/IMPEDANCE



PARAMETERS

Rdc	3.2Ω
Fs	35Hz
Mms	150g
Cms	0.15mm/N
Vas	9l
Qts	1.3
Qes	1.8
Qms	5
Bxl	7.6N/A
Sd	213cm ²
SPL	82dB
Xmax	11mm

MECHANICAL DRAWING



SUGGESTED APPLICATION

Sealed enclosure

Volume	F-3 (Hz)
6L (0.21 cu.ft.)	54Hz
9L (0.32 cu.ft.)	49Hz