

Dome Tweeter

AD 00845 series

AL DATA

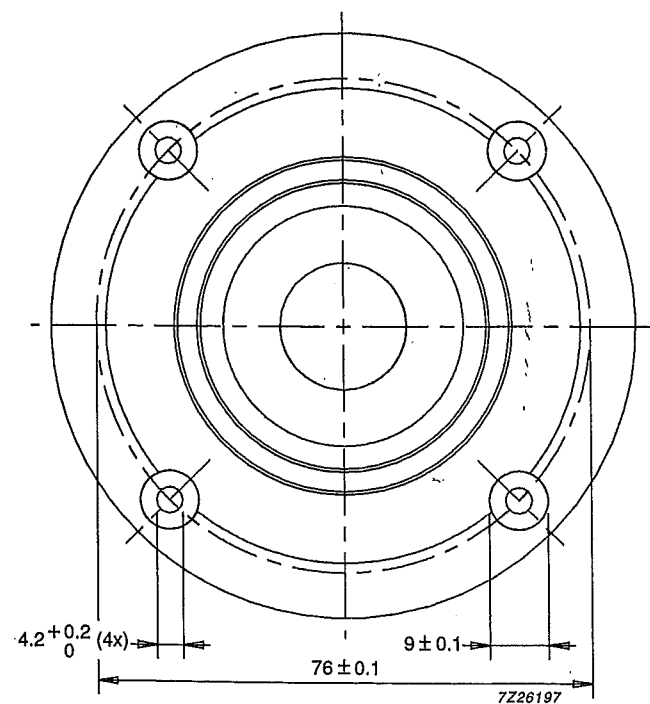
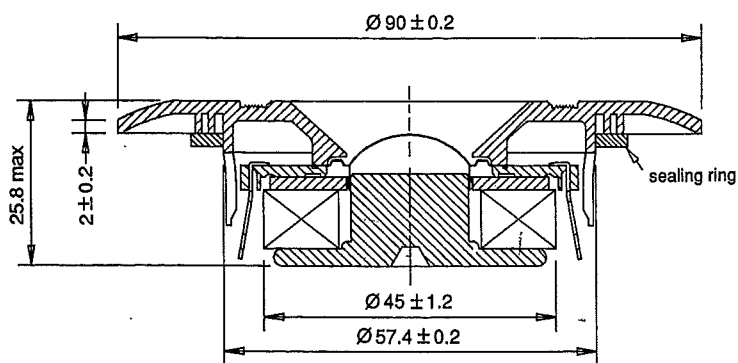


Fig. 1 Outline dimensions (mm)

18 mm Dome Tweeter

AD 00845 series

FREQUENCY RESPONSE CURVES

Frequency response curves have been measured on an axis at a distance of 1 m with 1 W input power.

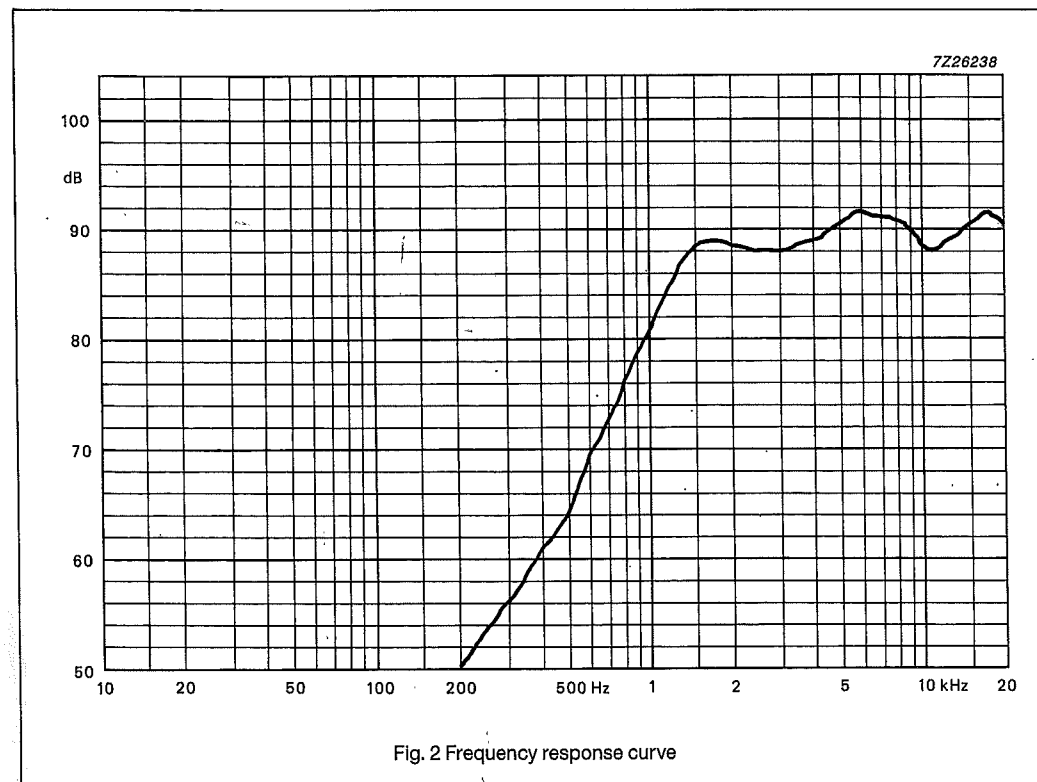


Fig. 2 Frequency response curve

Catalogue number: 2422 257 43803  
2422 257 43804

Data sheet	
status	Product specification
date of issue	May 1990

AD 00845 series  
18 mm Dome Tweeter

APPLICATION

Dome Tweeter, loudspeaker for audio applications.

DESCRIPTION

- Front plate material: plastic finish: texture
- Membrane colour: black material: polyester
- Gasket material: foam position: rear

TECHNICAL DATA

	version		unit
	/T4	/T8	
<b>Unmounted</b>			
Rated impedance	4	8	Ω
Voice coil resistance	3.4	6.3	Ω
Resonance frequency	1300		Hz
Sweep voltage	2	3	V
Magnetic flux density	1.15		T
Loudspeaker mass	165		g
<b>Mounted</b>			
Characteristic sensitivity	90		dB/W/m
Maximum noise power (PHC)	3		W