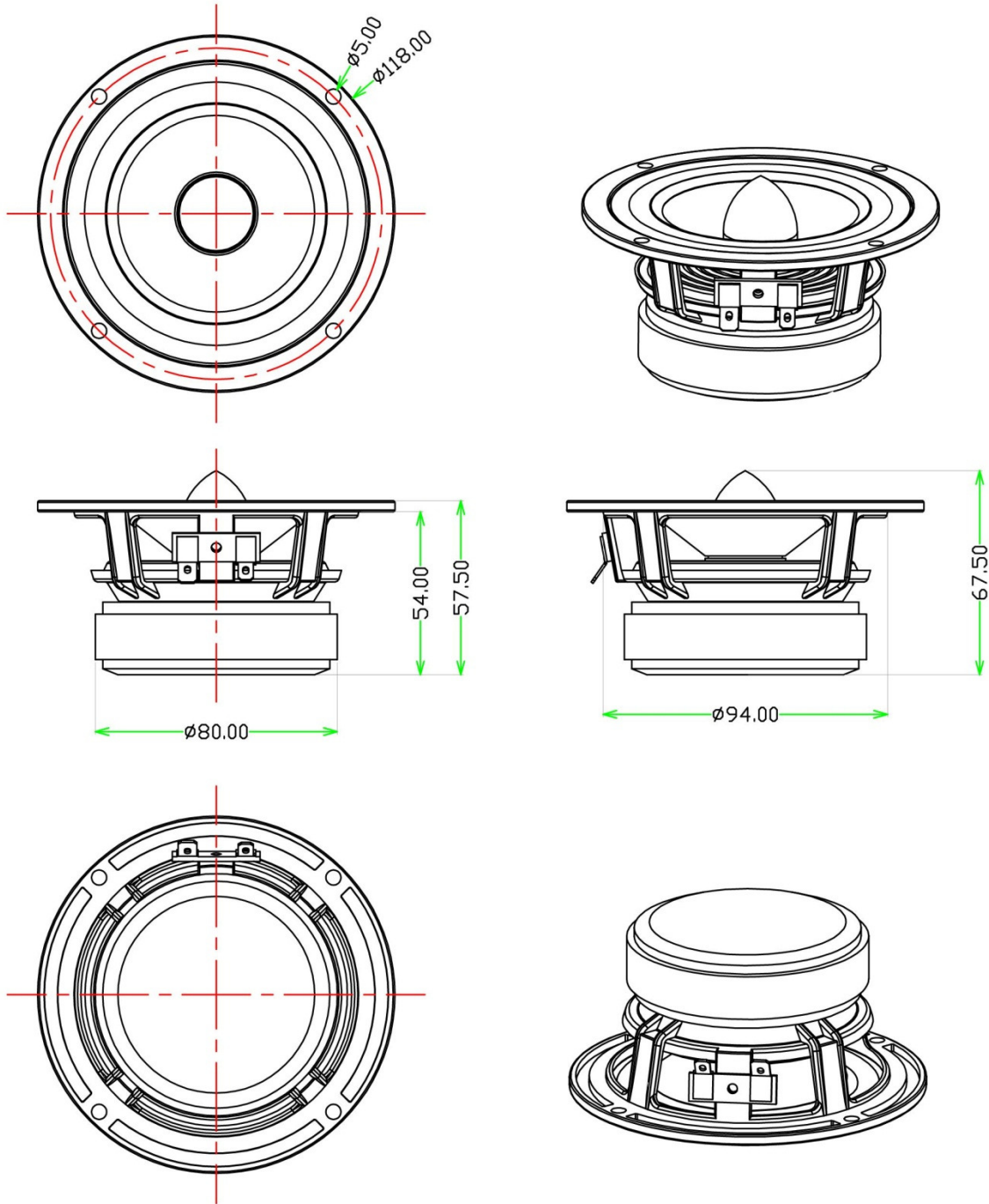


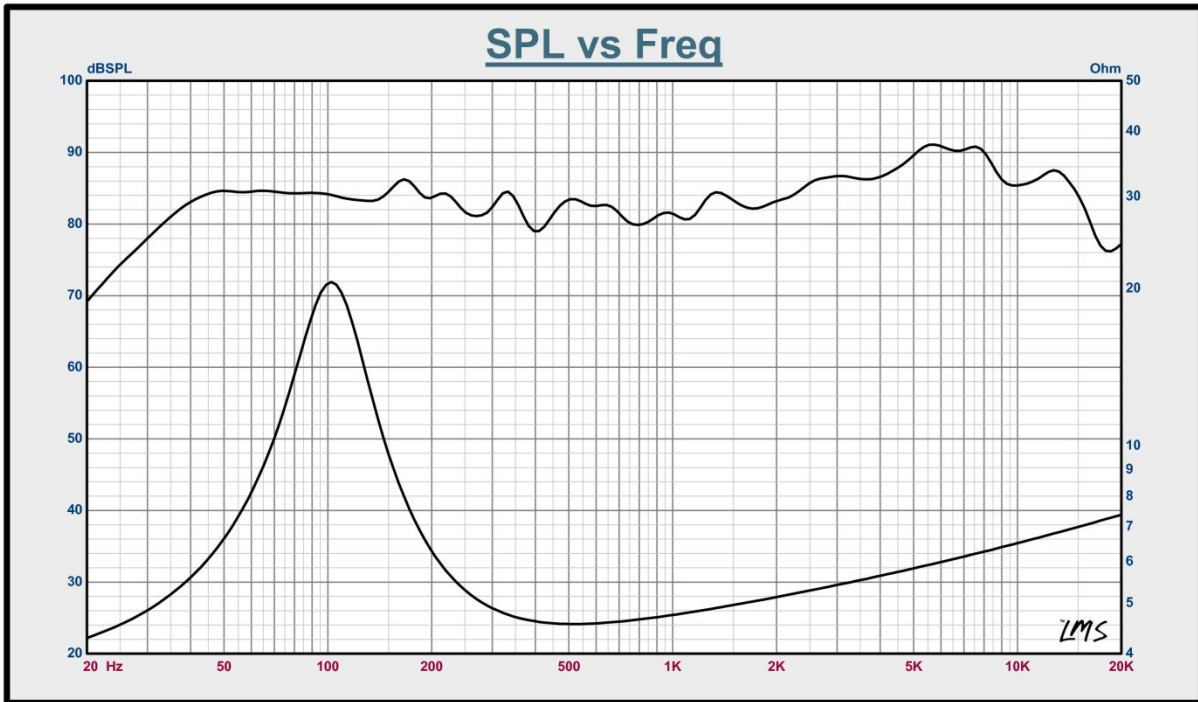
Mechanical Drawing



Thiele/Small Parameters

Overall Diameter	φ118 mm (4.65-inch)
Mounting Depth	54 mm
Bolt Circle Diameter	φ109.5 mm
Mounting Hole	φ94.5 mm
Recommended <i>Minimum</i> Crossover Frequency	160 Hz at 24 dB/octave highpass
P _{nom} Rated Power Input (No Crossover)	30 watts (AES Standard)
P _{max} Rated Power Input (No Crossover)	60 watts (AES Standard)
P _{max} (With Recommended Minimum Crossover)	150 watts
Frequency Range	100 Hz – 17,000 Hz, +/- 3 dB
Sensitivity	89.4 dB at 2.83V/1meter
Mms	4.861 g
Cms	498 um/N
BL	4.065 T*m
Voice Coil Diameter	25.55 mm (1-inch)
Impedance	4 Ω
DC Resistance	3.6 Ω
Fs	102 Hz (free air)
Qms	3.724
Qes	0.68
Qts	0.575
Xmax	3 mm (one way)
Vas	1.8 L
Sd	5,026 mm ²

Frequency Response Graph



Please note that the response peak at approximately 170 Hz is a testing room mode and is not indicative of the speaker's performance at that frequency. All speakers tested show this same phenomenon, and it has been concluded to be a room artifact.